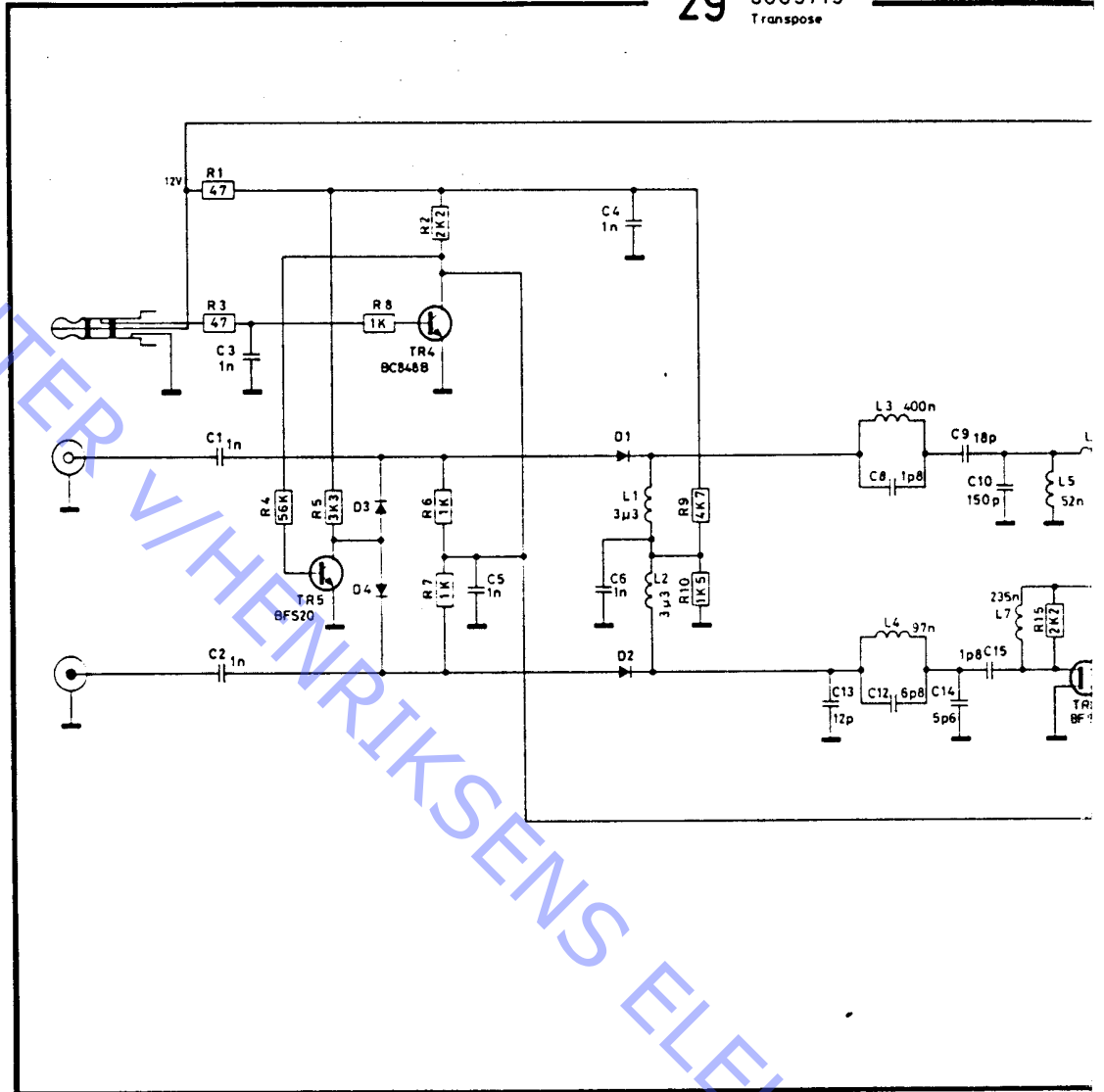
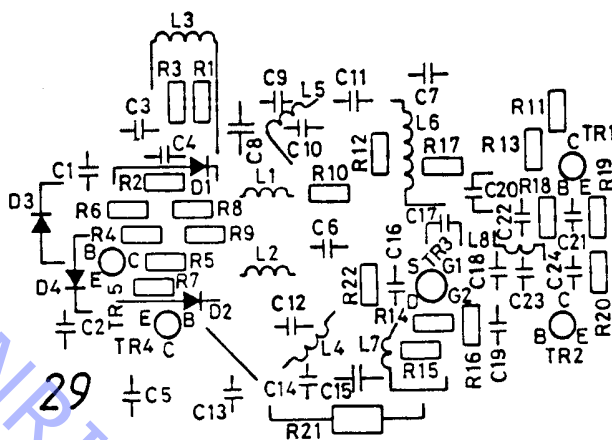
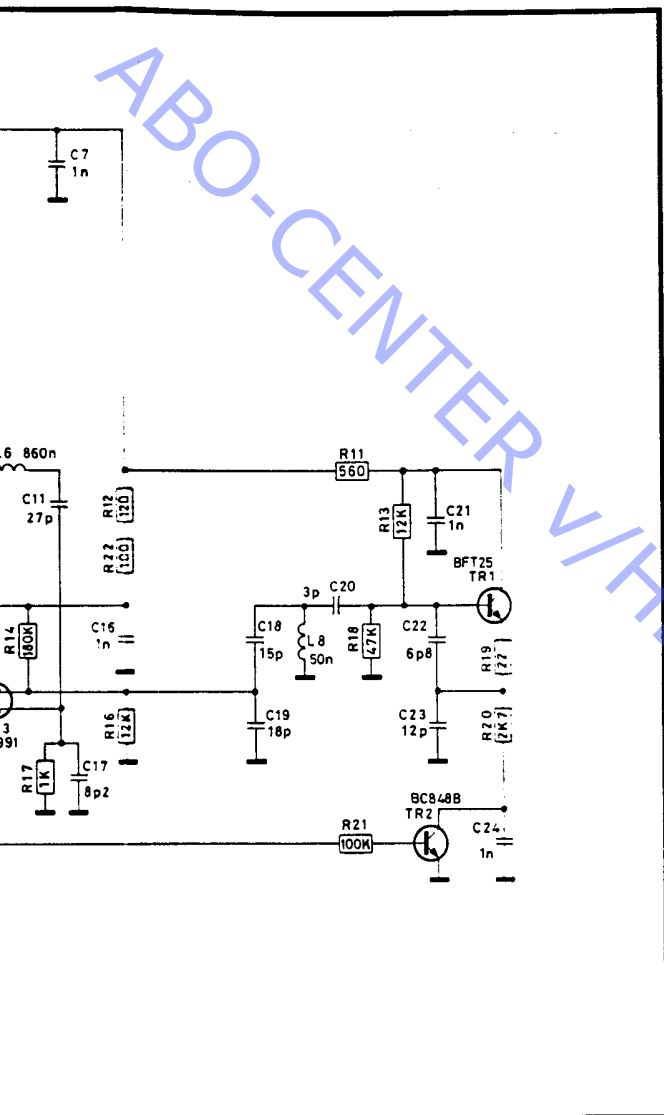


## TRANSPOSER

29 8003719  
Transpose





29

The control and tuning system in DIAGRAM A is indicated by the components having 2 co-or

DIAGRAM A CONTROL, TUNER AND IF SYSTEM, IR RECEIVER

1 Tuner 8003586 System B/G and IF 8003590 System 1

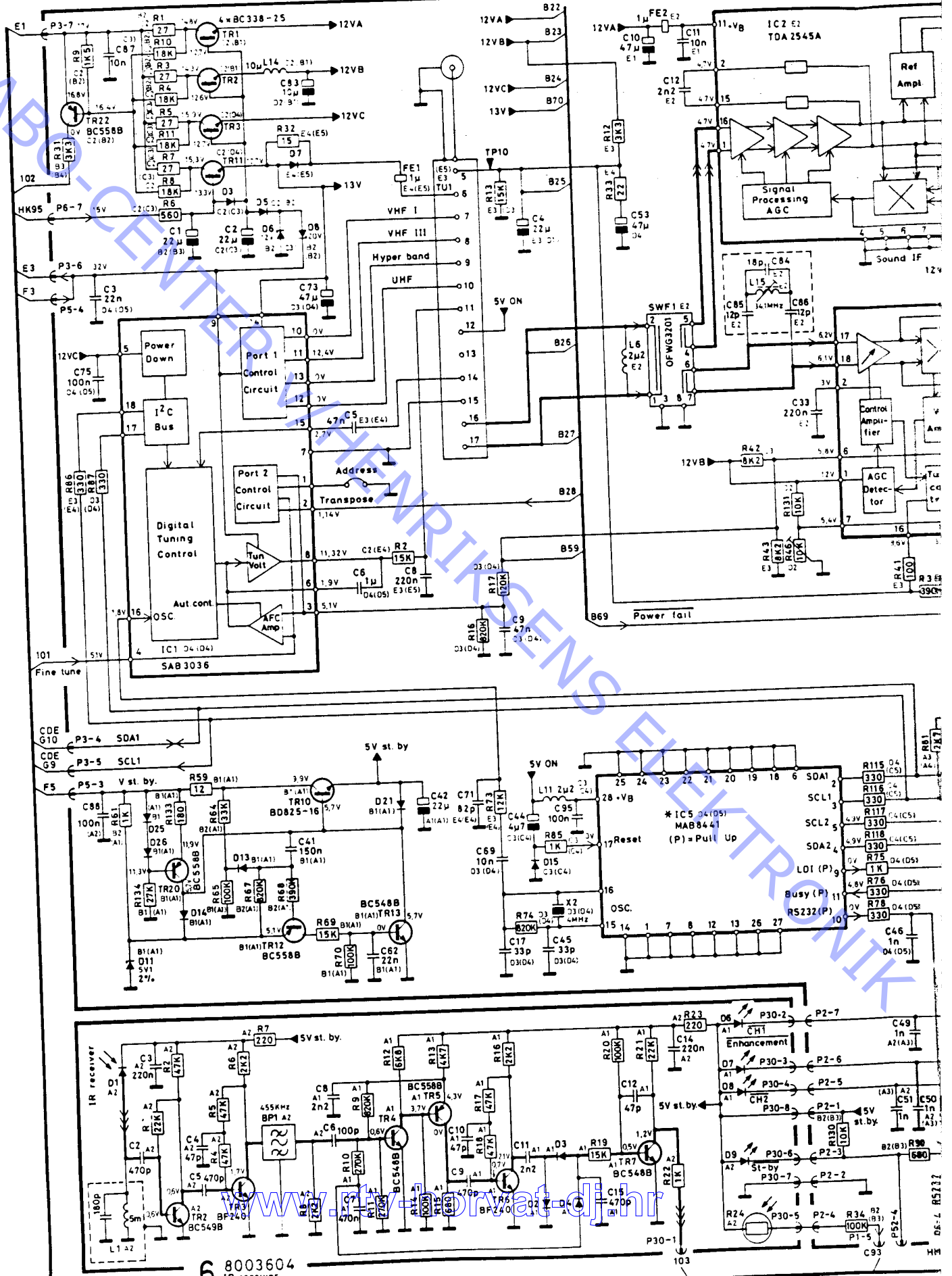
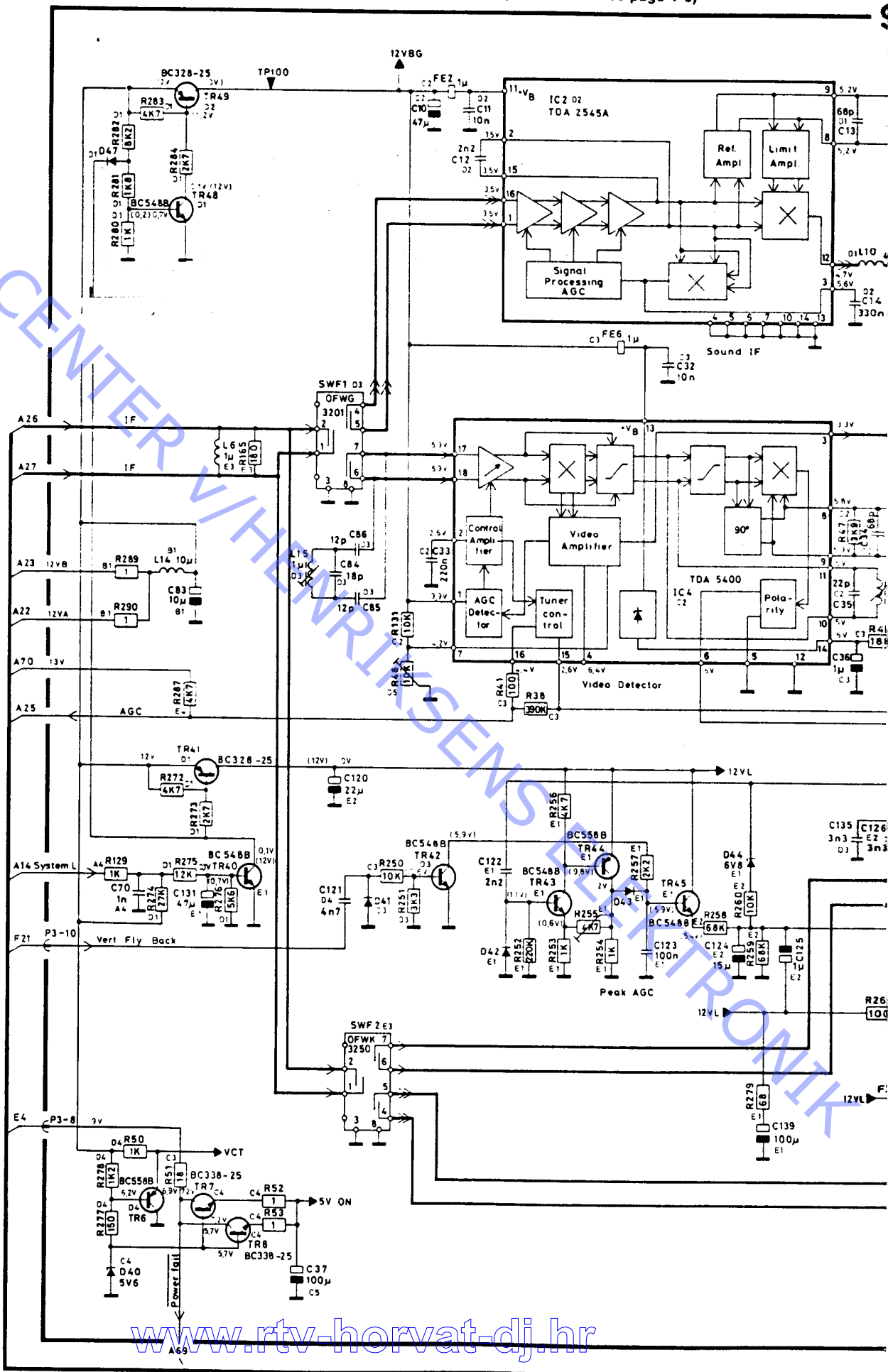
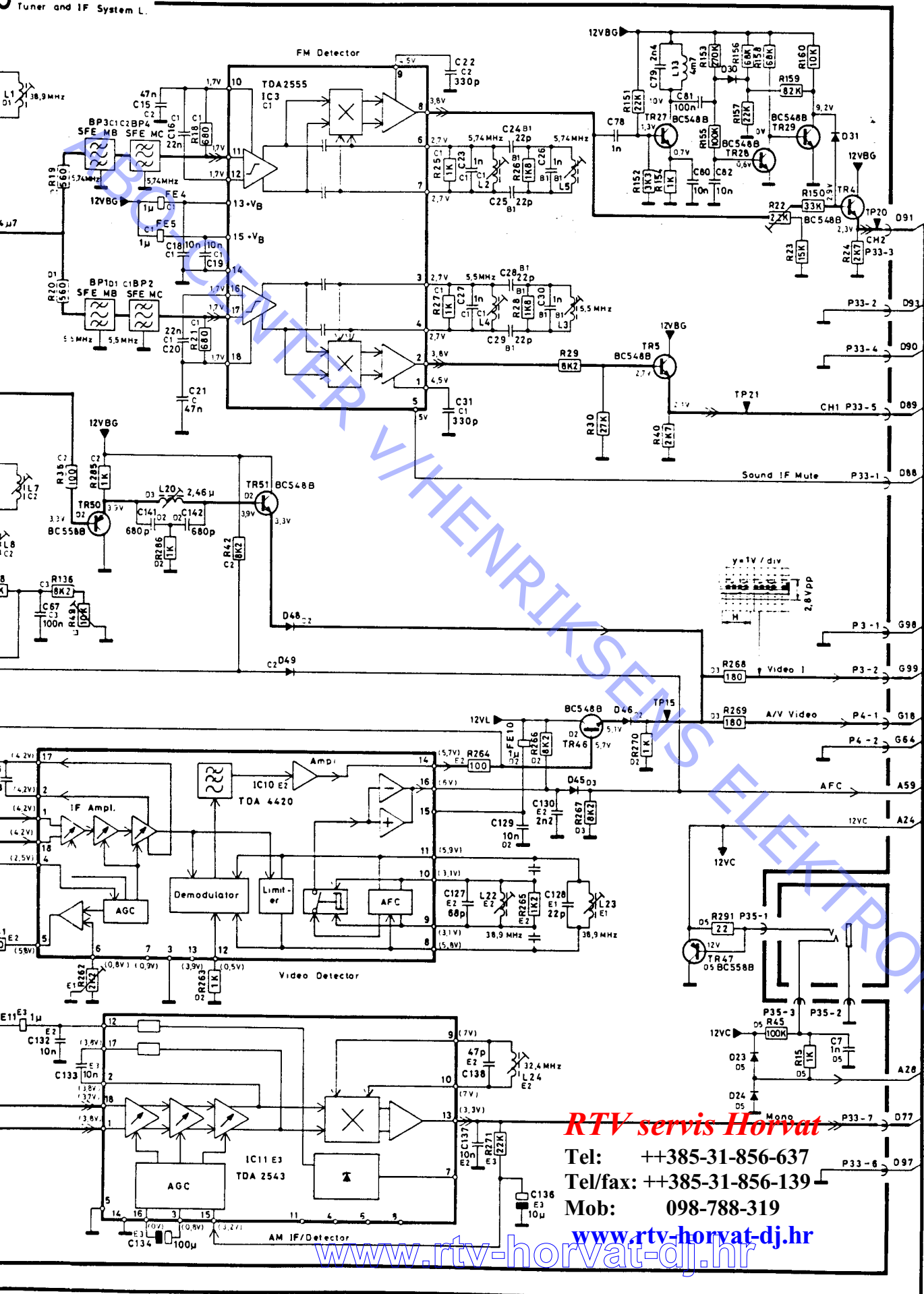




DIAGRAM B IF SYSTEM B/G/L (For CONTROL and TUNER system B/G/L see page 1-6)



98003612  
Tuner and IF System L.



**RTV servis Horvat**

Tel: ++385-31-856-637

Tel/fax: ++385-31-856-139

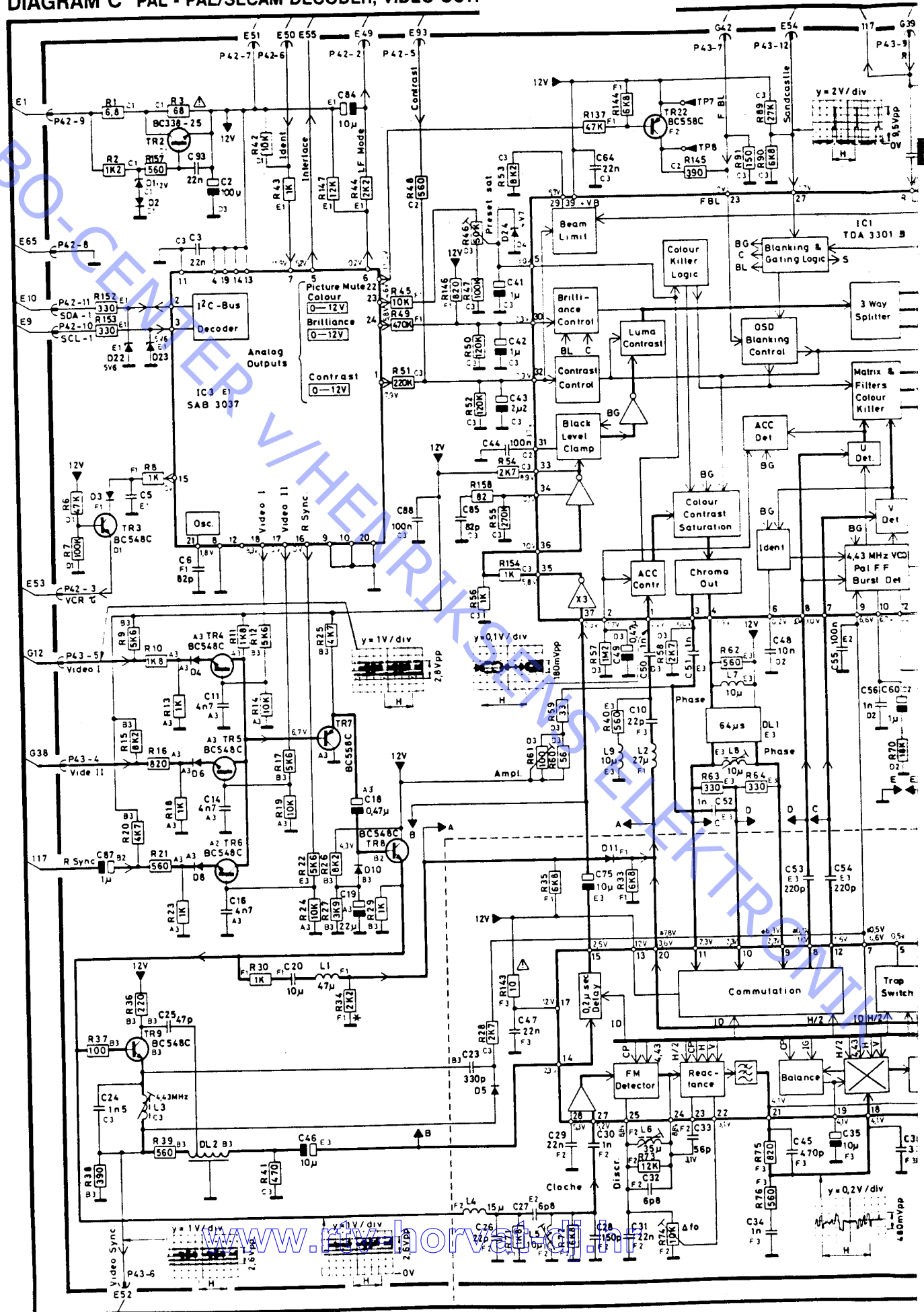
Mob: 098-788-319

[www.rtv-horvat-dj.hr](http://www.rtv-horvat-dj.hr)

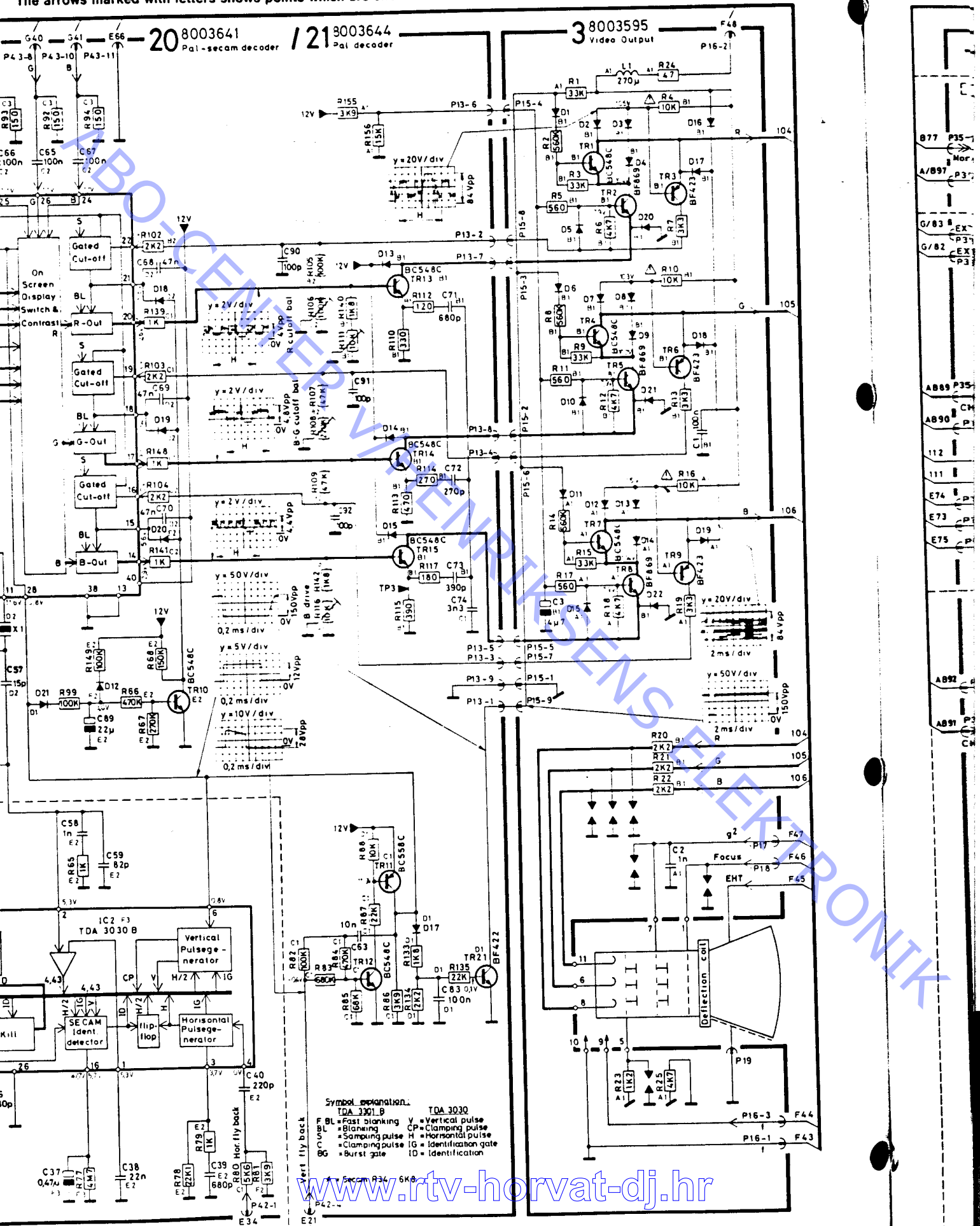
[www.rtv-horvat-dj.hr](http://www.rtv-horvat-dj.hr)



DIAGRAM C PAL - PAL/SECAM DECODER, VIDEO OUT

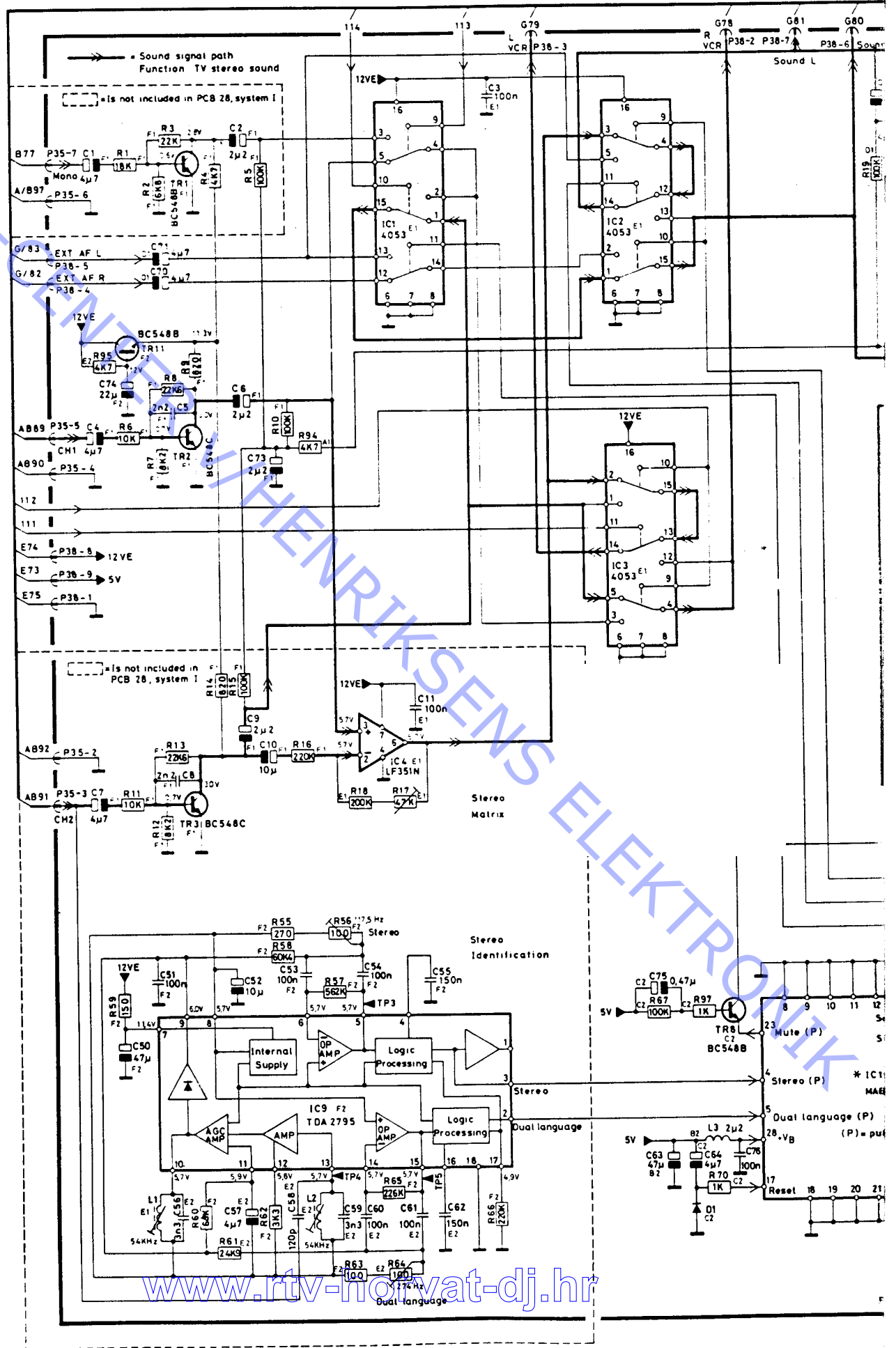


Components inside the dotted line are only i Pal/Secam decoder PCB 20.  
The arrows marked with letters shows points which are short circuit in Pal decoder PCB 21.





### DIAGRAM D STEREO DECODER, SOUND CONTROLS (Function tables for IC's see page 1-12)



24 8003700 / 128 8003715  
Sound processing / Sound processing mono

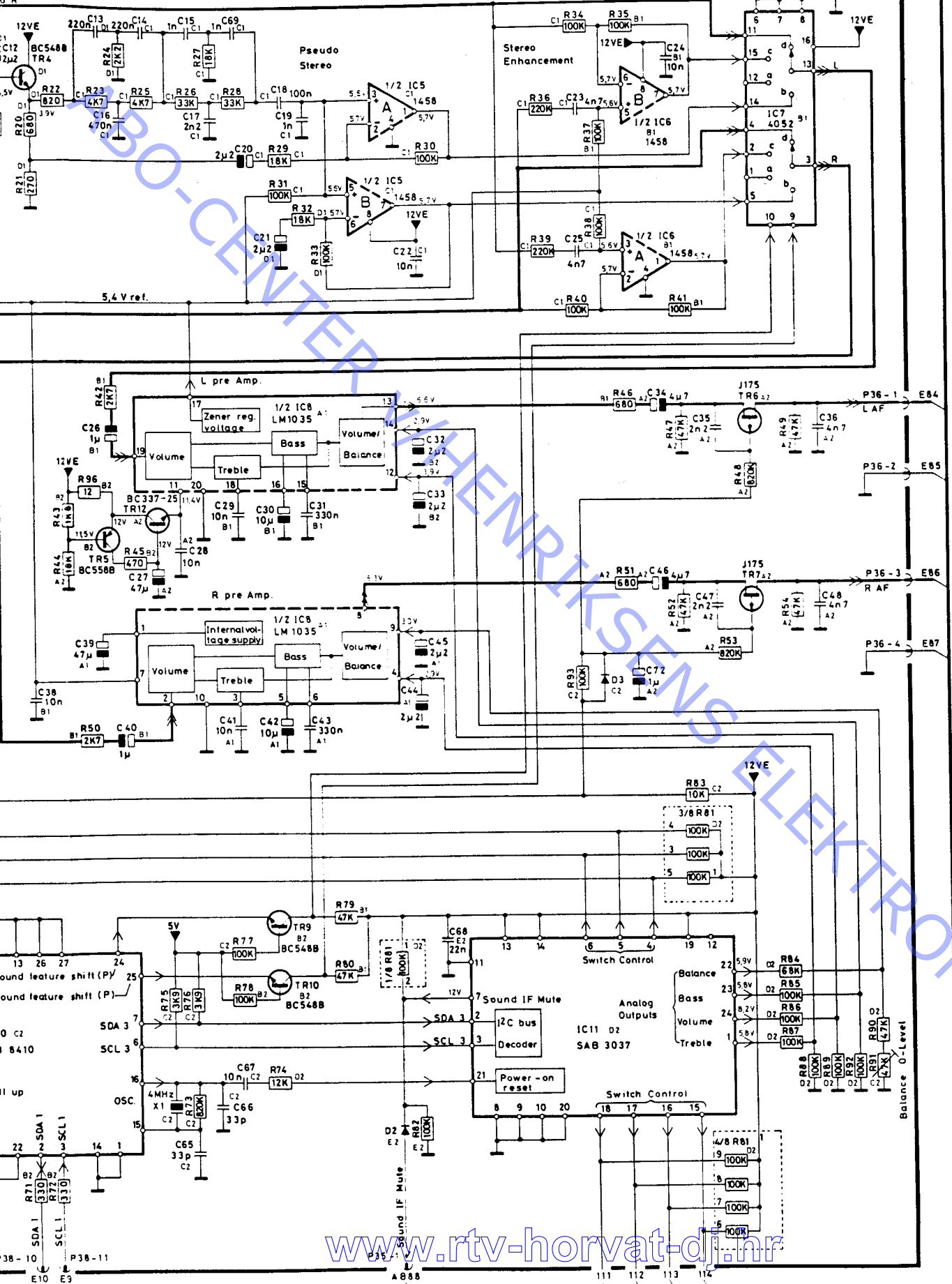
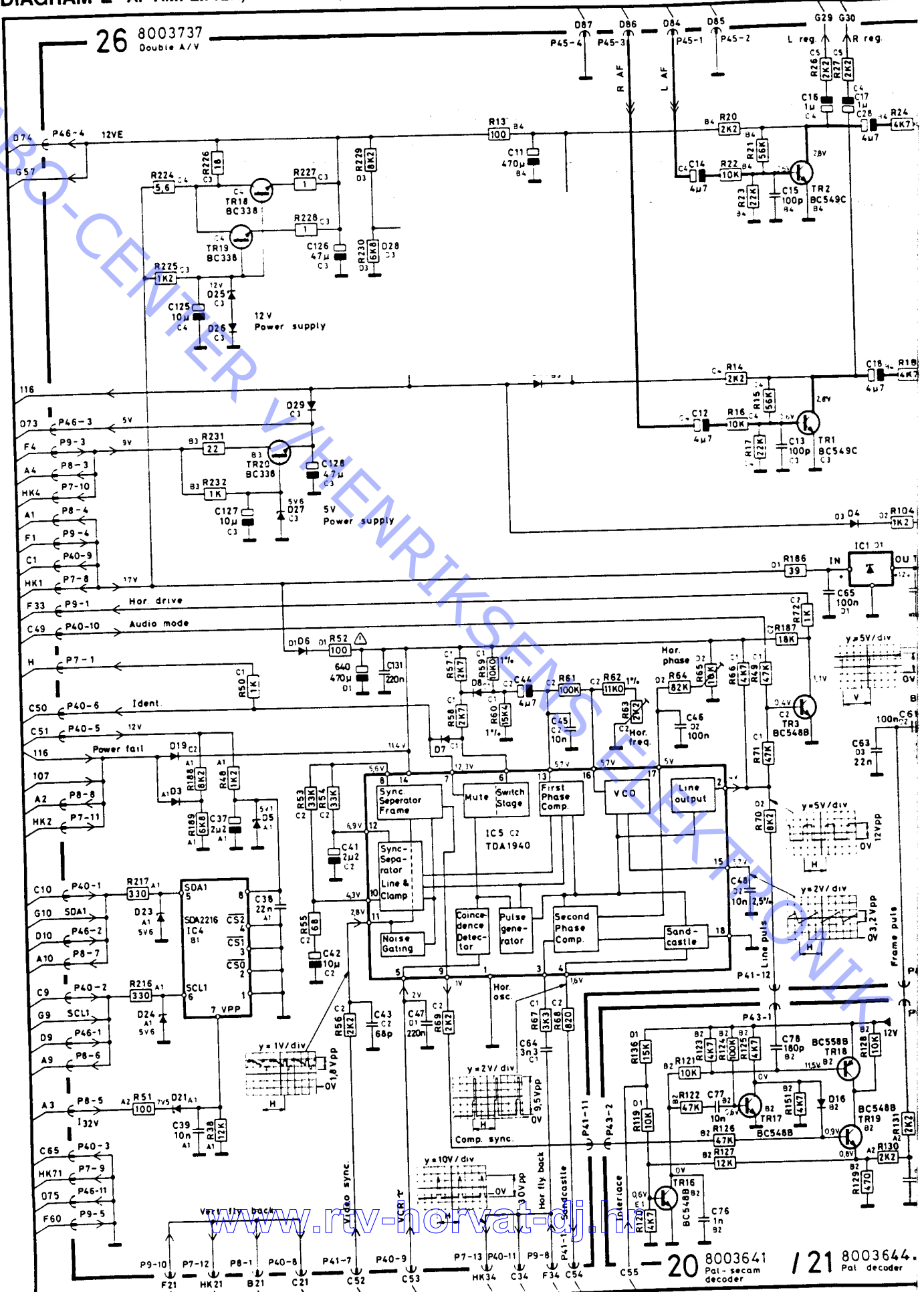
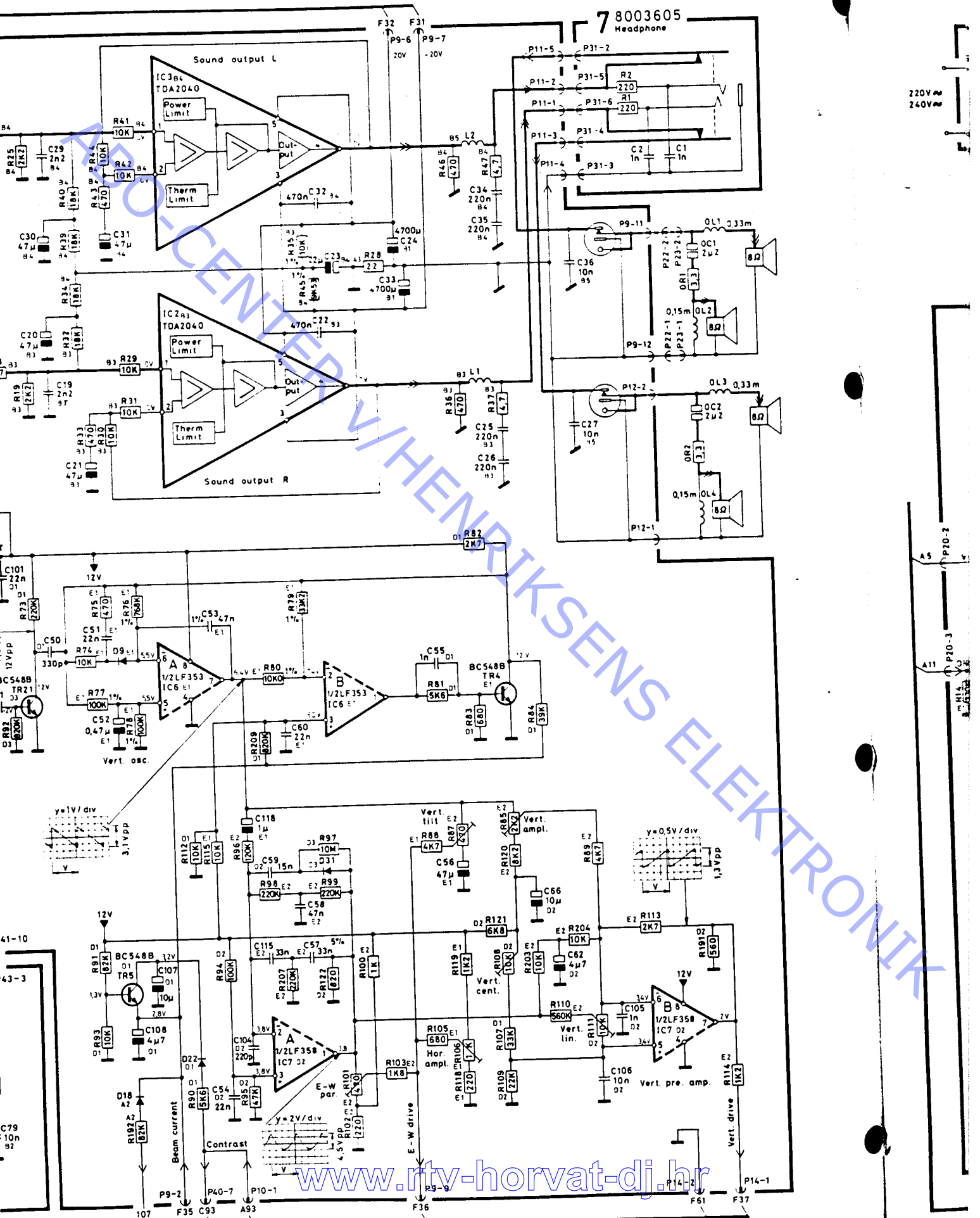
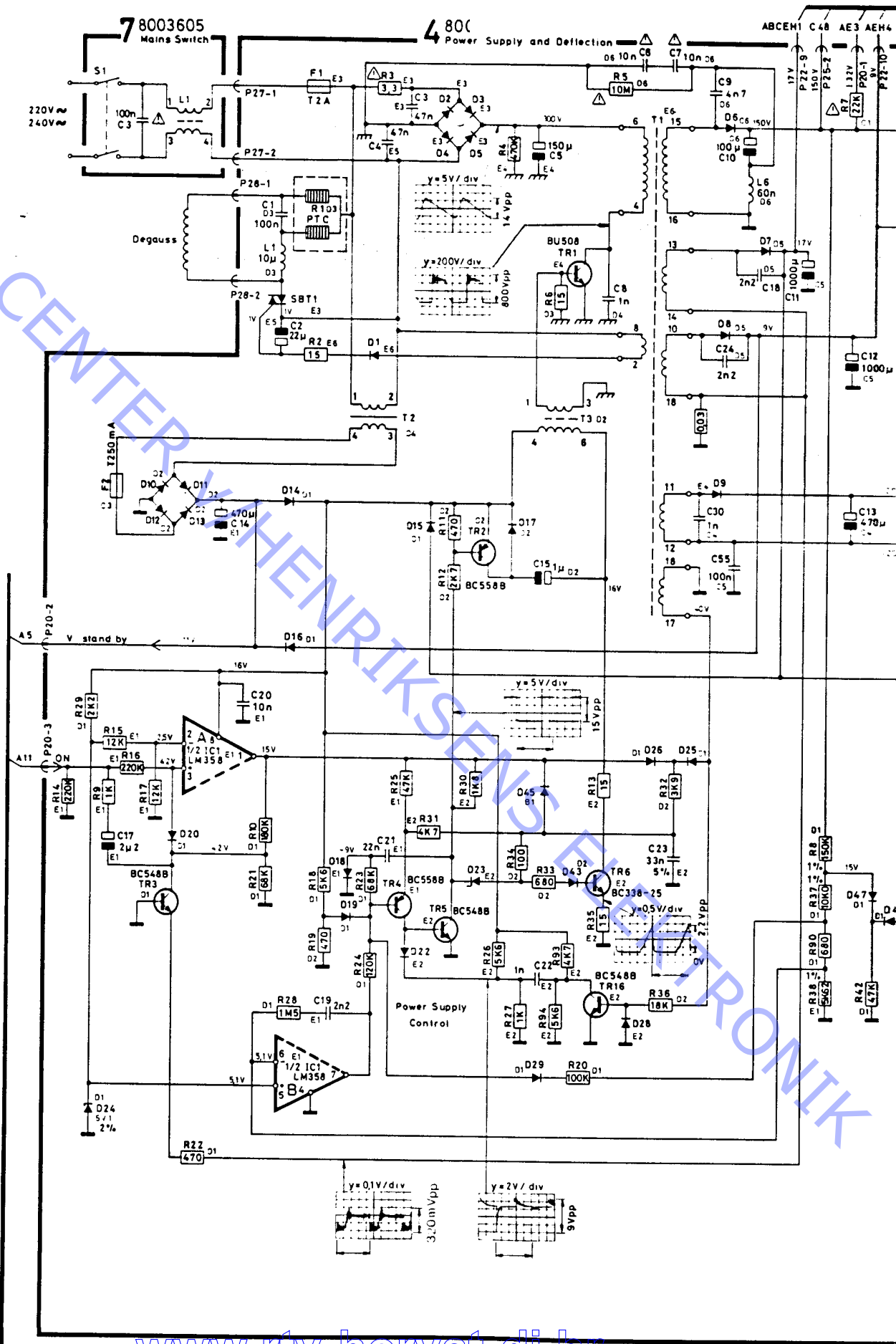


DIAGRAM E AF AMPLIFIER, HOR. OSC., VERT. OSC.





## DIAGRAM F POWER SUPPLY, DEFLECTION





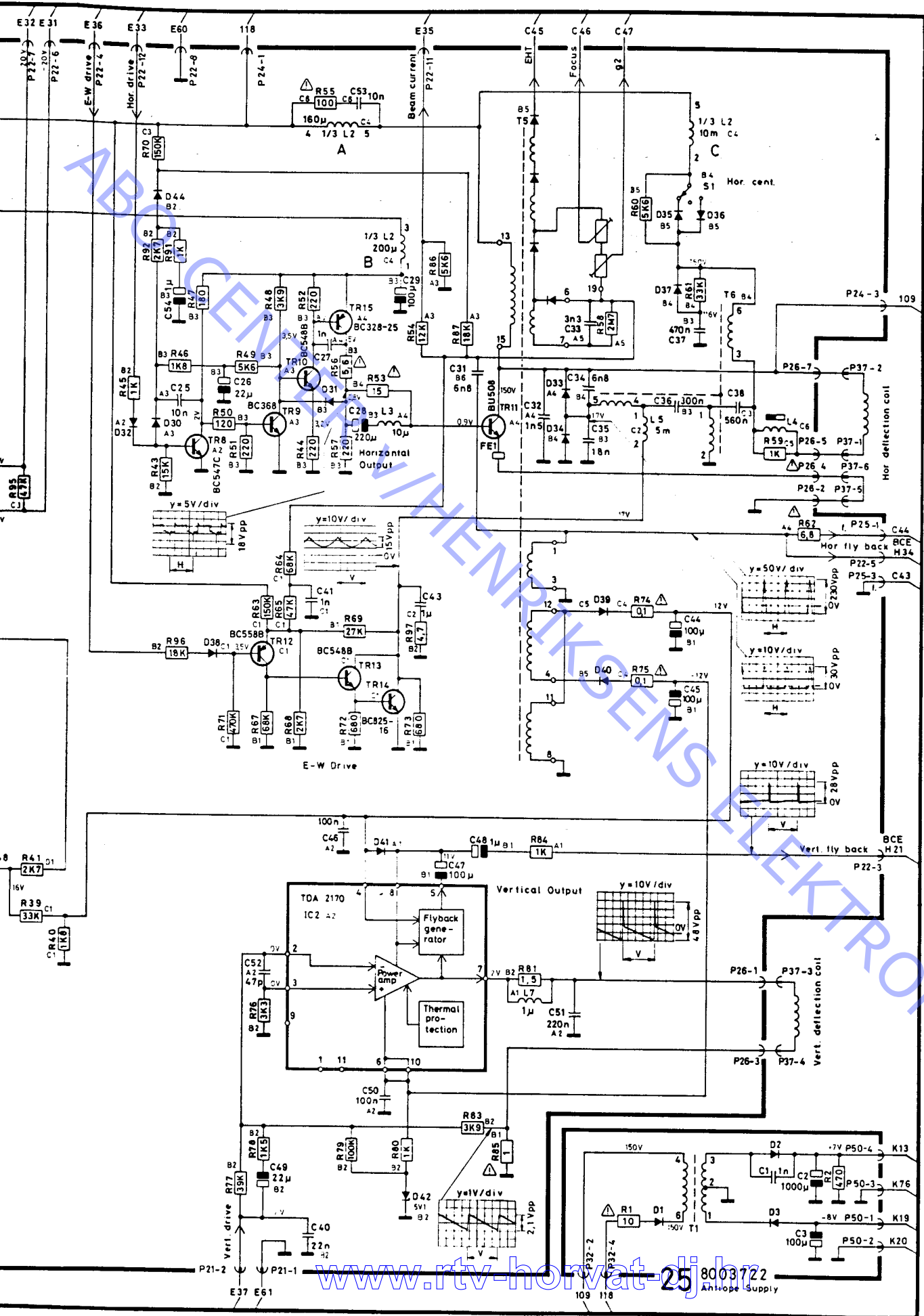
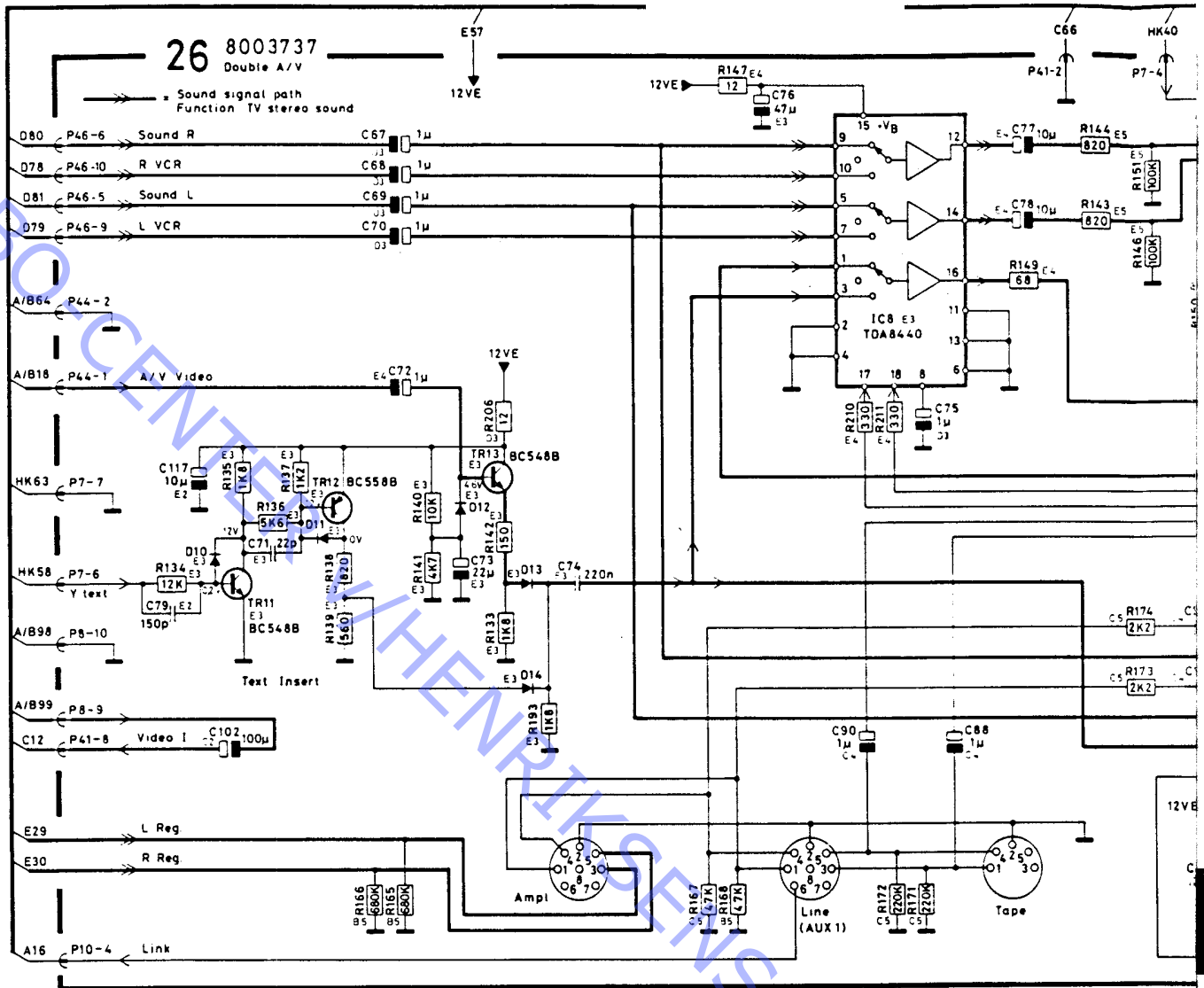


DIAGRAM G DOUBLE A/V CONNECTIONS



FUNCTION TABLES FOR SOUND PCB 24/28 PAGE 1-9

Function PCB24/28	Control Outputs Pins On IC 11							Signal Path for Sound Switching on PCB24/28
	4	5	6	15	16	17	18	
TV STEREO LEFT		H	L			L	H	To VCR IC2 Pin 3 ·4 ·12 ·14 IC3 Pin 2 ·15 ·13 ·14
TV STEREO RIGHT		H		H	H	L		To VCR IC1 Pin 1 ·15 ·IC2 Pin 1 ·15 IC1 Pin 1 ·15 ·IC3 Pin 5 ·4
CH 1 MONO LEFT		H	H	L	L	H	L	To VCR IC1 Pin 5 ·4 ·2 ·15 ·IC2 Pin 1 ·15 ·13 ·14 IC1 Pin 5 ·4 ·IC3 Pin 3 ·4 ·12 ·14
CH 1 MONO RIGHT		H		L	L	H		To VCR IC1 Pin 5 ·4 ·2 ·15 ·IC2 Pin 1 ·15 IC1 Pin 5 ·4 ·IC3 Pin 3 ·4
CH 2 MONO LEFT		H	H	H		L	L	To VCR IC1 Pin 1 ·15 ·IC2 Pin 1 ·15 ·13 ·14 IC3 Pin 5 ·4 ·12 ·14
CH 2 MONO RIGHT		H		H		L		To VCR IC1 Pin 1 ·15 ·IC2 Pin 1 ·15 IC3 Pin 5 ·4
EXTERNAL SOUND SOURCE LEFT		L	L			L	H	To VCR* IC2 Pin 5 ·4 ·12 ·14 IC1 Pin 5 ·4 ·IC3 Pin 3 ·4 ·12 ·14
EXTERNAL SOUND SOURCE RIGHT	L	L				L	H	To VCR IC1 Pin 12 ·14 ·IC2 Pin 2 ·15 IC1 Pin 5 ·4 ·IC3 Pin 3 ·4

\*TV Mono CH1 to VCR





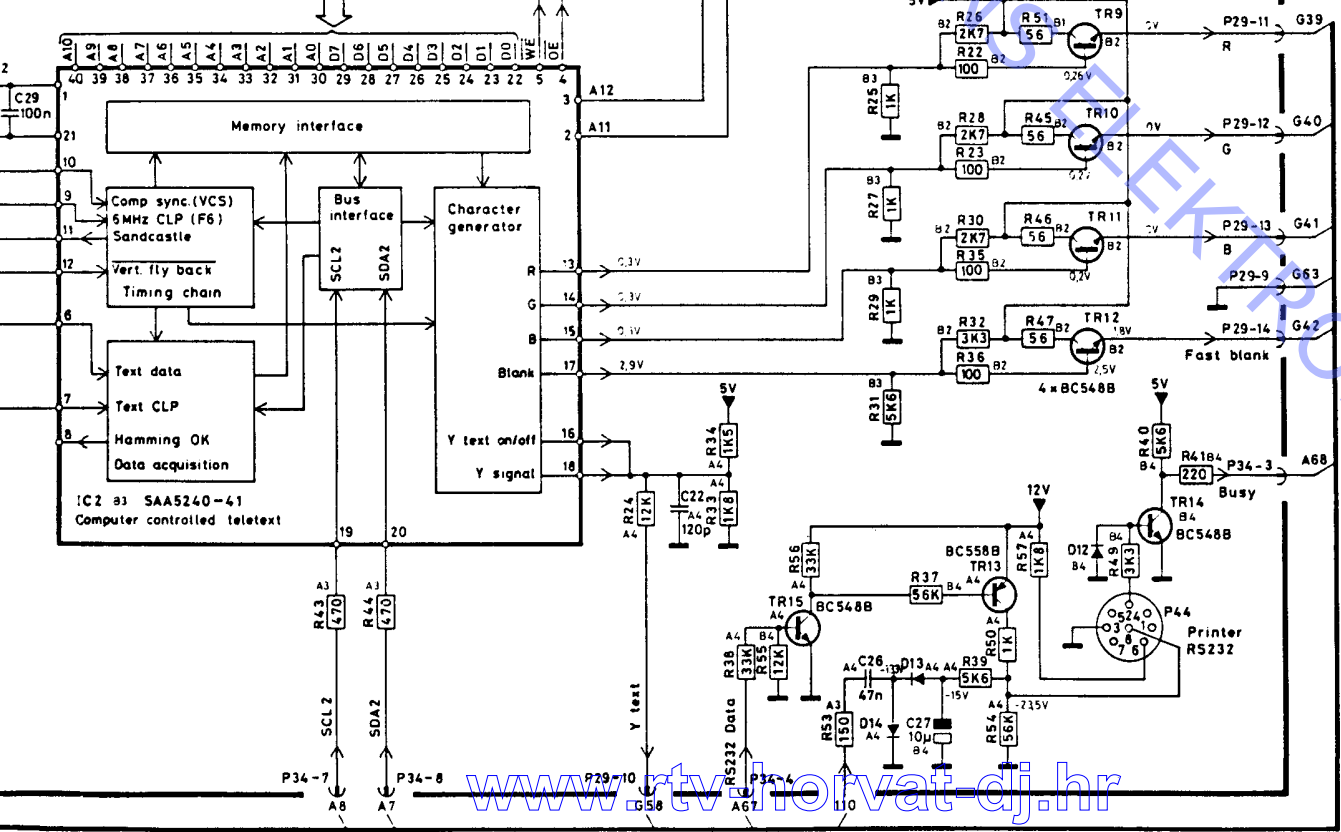
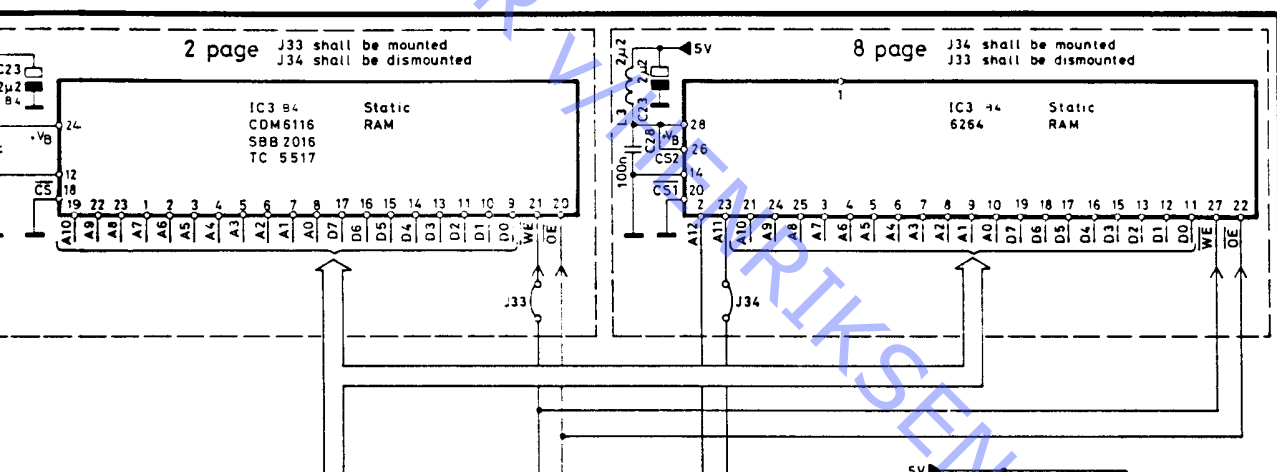
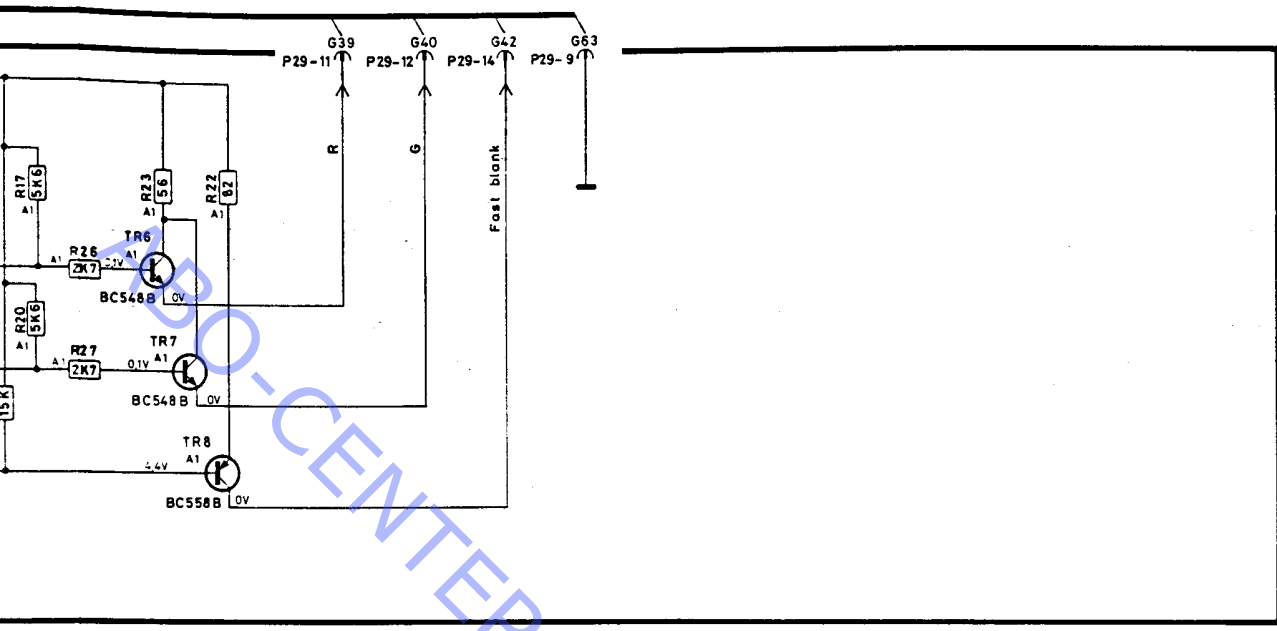
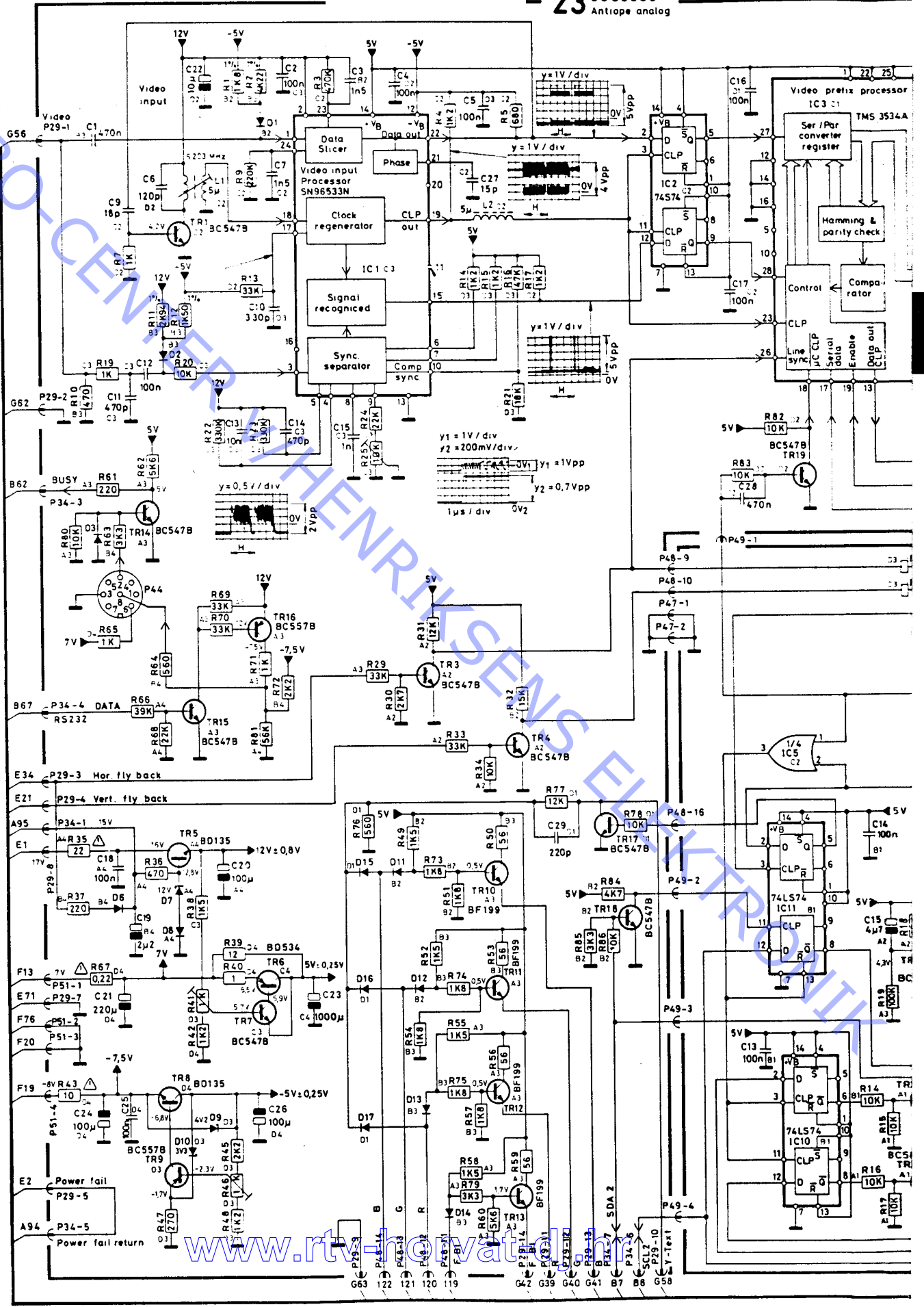




DIAGRAM K ANTIOPE DECODER

- 23 8003650 Antiope analog



15 8003630  
Antiope digital

